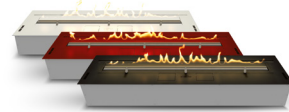


# FLA 3 in Casing A

Perfect solution for architects

## FEATURES

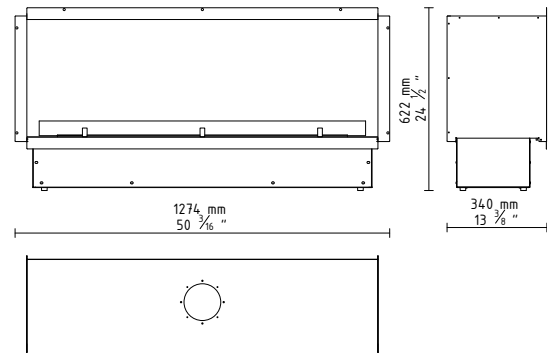
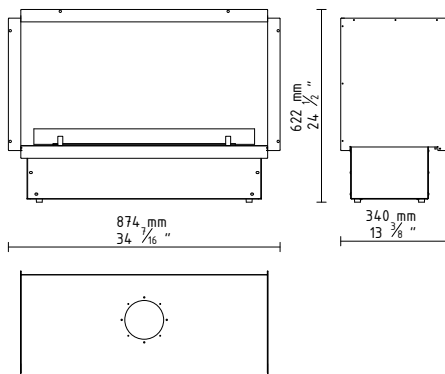
- BEV\* Technology - no contact between fuel and flame
- Automatic refill system
- LCD Control panel
- Advanced safety sensors
- 6 levels of flame height
- Possibility of joining modules
- Possibility of remote service in case of errors
- WiFi (controlled with smart devices)
- Remote control included
- No hard connection required
- Optional connection to Smart Home System [SHS]
- Custom length
- Optional RAL colour & shape
- Optional external temperature sensor
- Optional frame



## TECHNICAL DATA

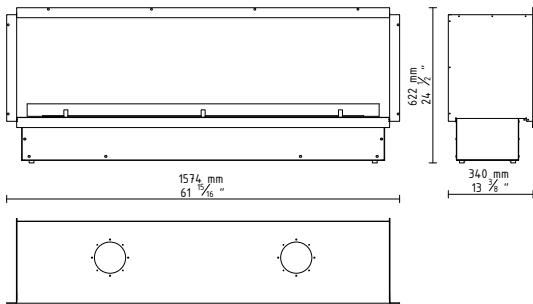
	FLA 3 in Casing A (Length 790)	FLA 3 in Casing A (Length 1190)	FLA 3 in Casing A (Length 1490)
Capacity	4,5 L / [US] 1,19 gal / [UK] 0,99 gal	7,5 L / [US] 1,98 gal / [UK] 1,65 gal	10 L / [US] 2,64 gal / [UK] 2,2 gal
Burning time	4 - 10 h	4 - 10 h	4 - 10 h
Heat output	2,9 - 6,9 kW / 10009 - 23426 BTU	5,0 - 11,2 kW / 17037 - 38334 BTU	6,2 - 15 kW / 21297 - 51113 BTU
Net weight	33,2 kg / 73,2 lbs	43,3 kg / 95,5 lbs	51 kg / 112,4 lbs
Air circulation	min. 1/h	min. 1/h	min. 1/h
Minimum room size	68,6 m <sup>3</sup> or please contact our Project Department for details	112,3 m <sup>3</sup> or please contact our Project Department for details	149,8 m <sup>3</sup> or please contact our Project Department for details
Power supply	230 V (electric supply)		
Finish	FIREPLACE: brushed stainless steel / optional: RAL colours / black powder coated steel CASING: black powder coated steel, GLASS SHIELD: tempered glass OPTIONAL FRAME: brushed stainless steel / optional: RAL colours / black powder coated steel		

## DIMENSIONS

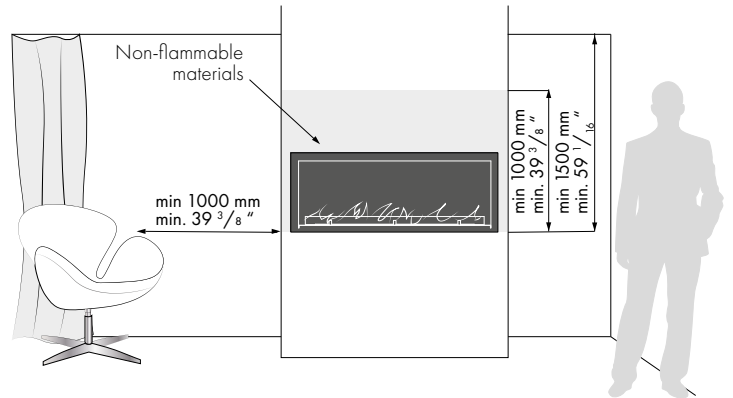


# Fire Line Automatic 3

## DIMENSIONS



## INSTALLATION REQUIREMENTS

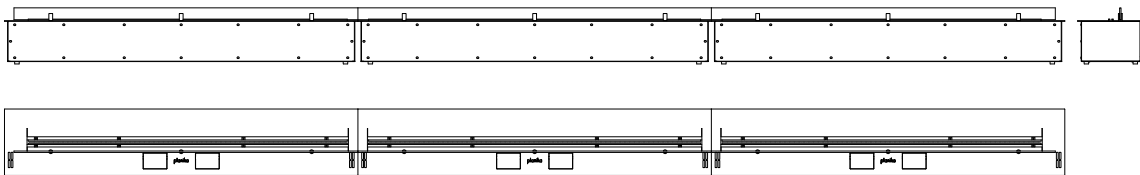


## BESPOKE MODELS

Planika ensures top service. To live up to our clients' requirements, we have provided the possibility to produce bespoke models, according to the client's expectations. Length of the bio fireplace is customizable.

## SEVERAL JOINT UNITS - UP TO UNLIMITED LENGTH:

If a longer line of fire is preferred, several units can be placed together and operated with a single remote control, giving the possibility to create an endless line of fire. Client can choose between the right, middle and left module.



## TV MONTAGE OPTIONS:

