

Sinatra INDOOR GAS FIREPLACE

Sinatra 1200 TU - Tunnel

Create timeless style with natural golden flames
Gas fireplace for top custom projects

FEATURES

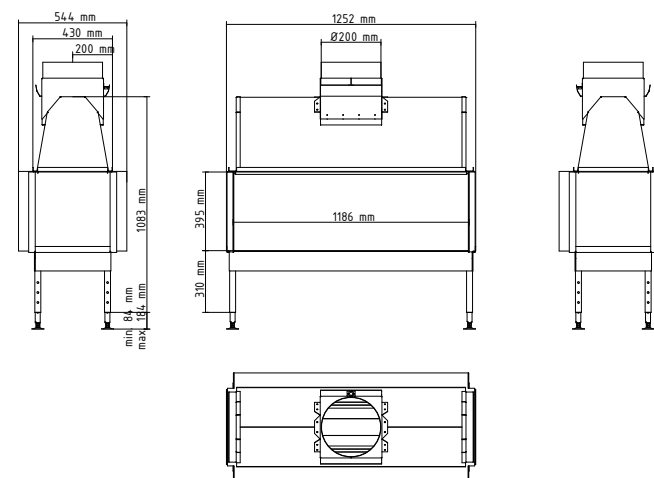
- Linear burner
- 15 levels of flame height
- LPG or Natural Gas powered
- Safety sensors
- Child lock
- Eco Flow mode
- Modular burner
- Remote control
- Smart Home System compatible
- Automatic ignition
- CE Certified
- Ceramic glass
- No glass enclosure available
- Bespoke sizes
- Conventional flue
- LED lighting



SPECIFICATION

FUEL OPTION		G20 / G25 (NATURAL GAS)	G30 / G31 (LPG)
Fire View	-	Front & Back	
Heat output	kW [Hi]	10,31	9,51
Gas consumption	kg/h	-	max. 0,75
Gas consumption	m ³ /h	max. 1,09	-
Flue system	mm	conventional flue	
Glazing	-	ceramic glass (optional anti-reflective)	
Interior finish	-	black matt	
Combustion system	-	open	
Power supply	V	230	

DIMENSIONS



AVAILABLE DECORATIVE ACCESSORIES



OPTIONAL

